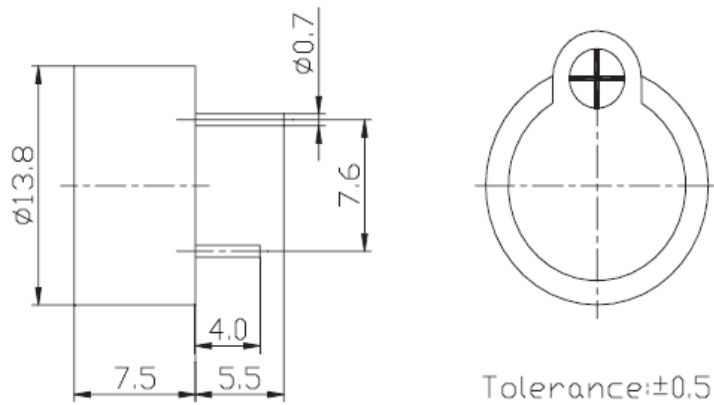


CPM121S

**PIEZO BUZZER – CONTINUOUS TONE
PCB MOUNT
SEALED FOR BOARD WASHING**



• Technical terms

Type		CPM 121S
Rated Voltage	(VDC)	12
Operating Voltage	(VDC)	3 ~ 16
• Sound Output at 10cm	(dB)	• 80
Resonant Frequency	(Hz)	4000±500
• Current	(mA)	• 10
Operating Temperature	(°C)	-20~+70
Storage Temperature	(°C)	-30~+80
Weight	(g)	1
ROHS Compliant		Yes

- Value applying at rated voltage.
- Distance for measurement : 10cm